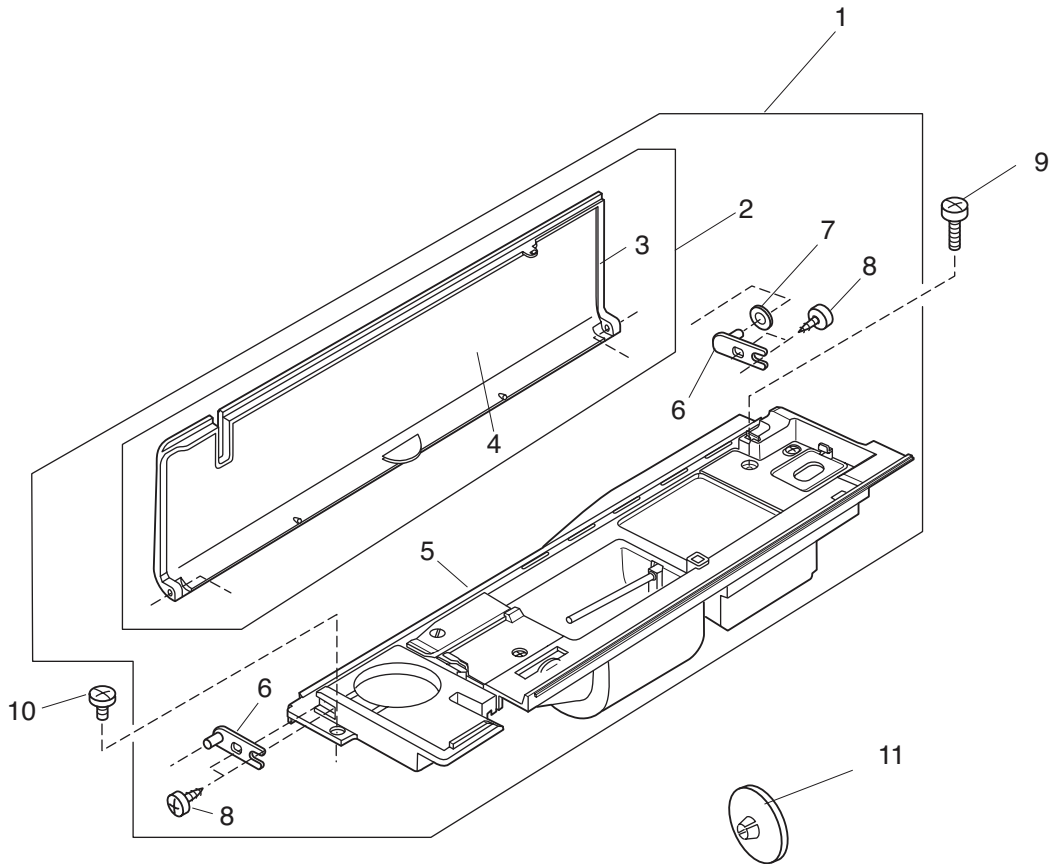




# PARTS LIST

NO.	Part Number	Name
1	854621004	Needle plate (unit)
2	854104006	Needle plate
3	846030005	Hook cover plate supporter
4	846222109	Rotation stopper
5	825016000	Hook cover plate release button
6	825017001	Hook cover plate holder spring
7	820374004	Setscrew 2x2.2
8	854105007	Bobbin threader holder lever
9	820390109	Setscrew
10	846271103	Hook cover plate
11	860002002	Needle plate positioning pin
12	000111201	Hexagonal socket screw 4x4
13	822314002	Nut
14	860003014	Needle plate nut set plate
15	857001001	Extension table lid
16	852004009	Caution card
17	810220106	Setscrew
18	857612207	Face plate (unit)
19	825605013	Needle plate set plate (right) (unit)
20	825021019	Needle plate set plate (right)
21	825022009	Needle plate position adjusting plate
22	000101105	Setscrew 3x4
23	000097613	Setscrew 2x4
24	852054004	Free arm cover
25	854138009	Lint brush
26	810220106	Setscrew
27	852056006	Thread cutter cover
28	852055005	Bed cover
29	000103509	Setscrew 4x10
30	857023009	Extension table
31	857611206	Face plate (unit)
32	857003106	Face plate
33	827099003	Reflecting sticker
34	832508006	Thread cutter (unit)
35	000103200	Setscrew 4x30
36	653006101	Cap
37	834014202	Front set plate
38	000081005	Setscrew 4x8
39	857505000	Extension table (unit)

# PARTS LIST

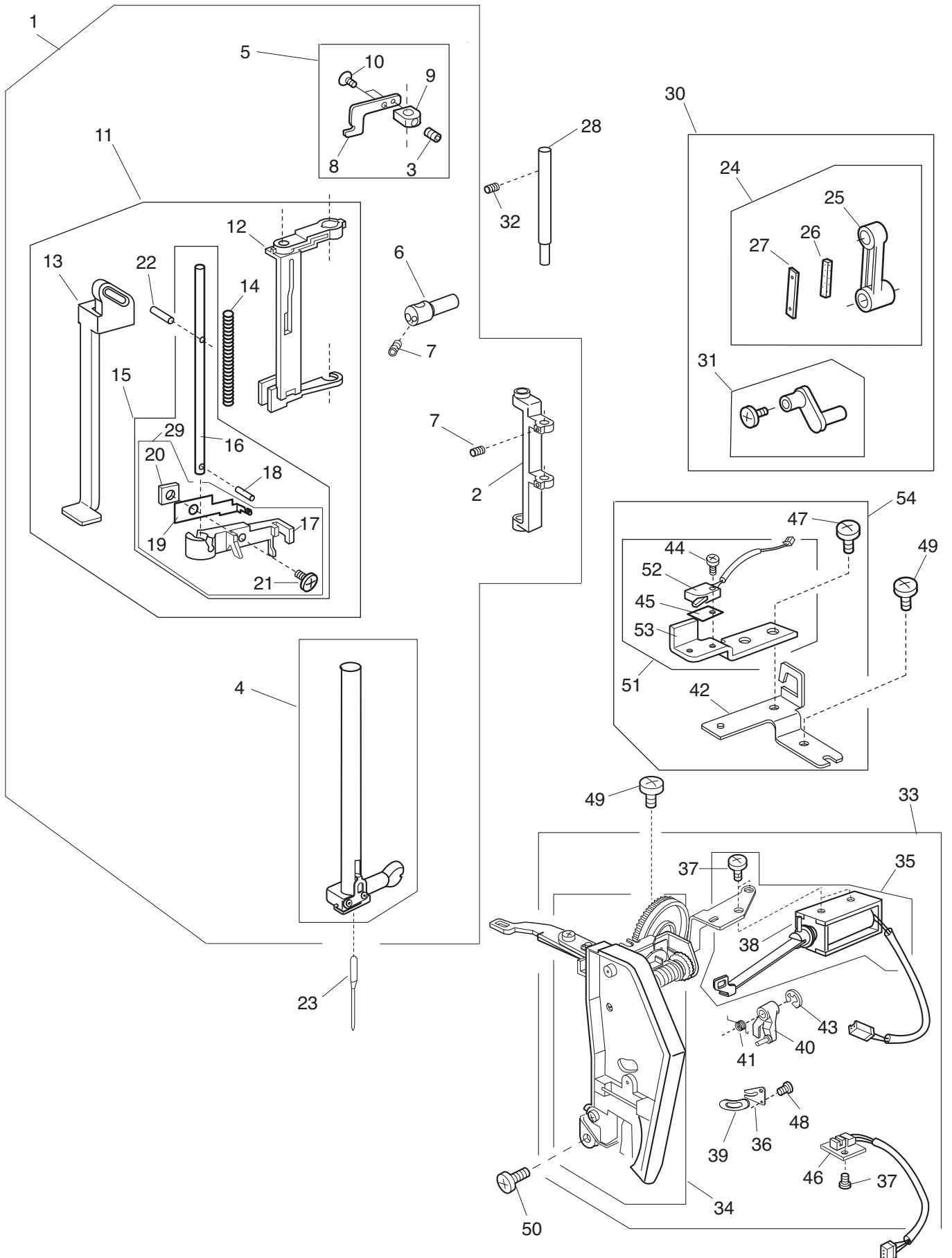


# PARTS LIST

---

NO.	Part Number	Name
1	853601809	Top cover (unit)
2	853602800	Top cover (unit)
3	853005003	Top cover
4	852068001	Reference chart
5	853603306	Top cover compartment (unit)
6	830013003	Top cover hinge
7	830190005	Washer
8	000161103	Setscrew 3x6
9	000080901	Setscrew 4x25
10	000081005	Setscrew 4x8
11	822020503	Spool holder (Large)

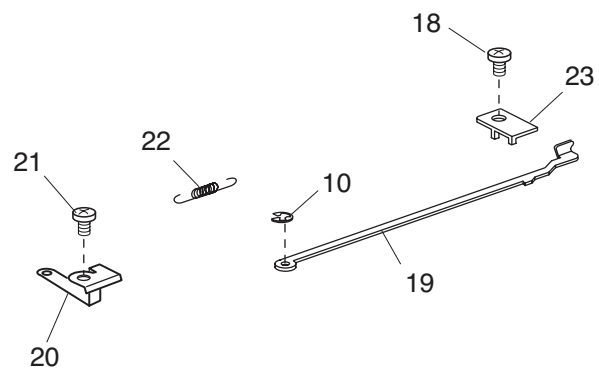
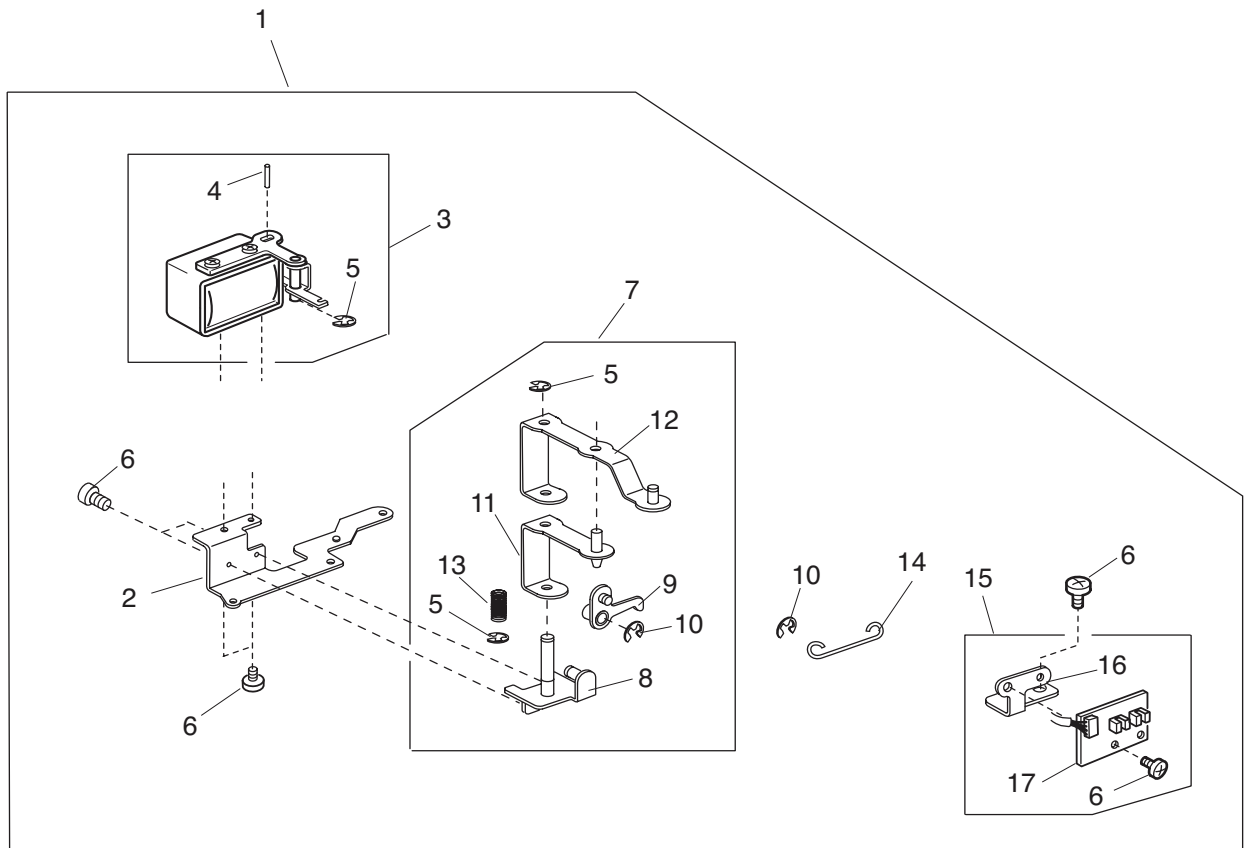
# PARTS LIST



# PARTS LIST

NO.	Part Number	Name
1	852005154	Needle bar supporter (unit)
2	751014006	Needle bar supporter
3	000111902	Setscrew 3x4
4	830609703	Needle bar (unit)
5	857602008	Needle threader setting plate (unit)
6	751047008	Needle bar connecting stud
7	000111201	Setscrew 4x4
8	857037006	Needle threader setting plate
9	751016008	Needle threader setting block
10	000097602	Sewscrew 2x4
11	853509127	Needle threader (unit)
12	755062001	Threader frame
13	853026011	Needle threader lever
14	755067006	Threader shaft spring
15	857603010	Needle threader shaft (unit)
16	755066005	Needle threader shaft
17	857038007	Needle threader plate (unit)
18	000003508	Spring pin 2x8
19	857039101	Needle threader plate
20	755095003	Nut
21	755096004	Setscrew
22	000125105	Pin
23	813404013	Needle
24	650607006	Needle bar crankrod (unit)
25	650039001	Needle bar crankrod
26	650040005	Felt
27	650041006	Spring
28	852007002	Needle bar supporter shaft
29	857604011	Threader plate (unit)
30	850622005	Needle crank (unit)
31	652512009	Needle bar crank pin (unit)
32	000111108	Hexagonal socket screw 4x6
33	857618100	Thread tension (unit)
34	857507105	Thread tension (unit)
35	834604102	Solenoid (unit)
36	834173004	Cushion holder
37	000101105	Setscrew 3x4
38	851516109	Solenoid (unit)
39	853037004	Cushion
40	830660001	Thread detection lever (unit)
41	830049008	Detection lever spring
42	852077003	Presser foot lifter sensor bracket
43	000001207	Snap ring 2.5
44	000041209	Setscrew 1.7x6
45	852014002	Insulating paper
46	852502002	Photo interrupter (unit)
47	000101404	Setscrew 4x6
48	000161103	Setscrew 3x6
49	000081005	Setscrew 4x8
50	000101703	Setscrew 4x12
51	852621008	Presser foot lifter sensor (unit)
52	852510106	Micro switch (unit)
53	852013001	Switch fixing plate
54	852645008	Presser foot lifter sensor (unit)

# PARTS LIST

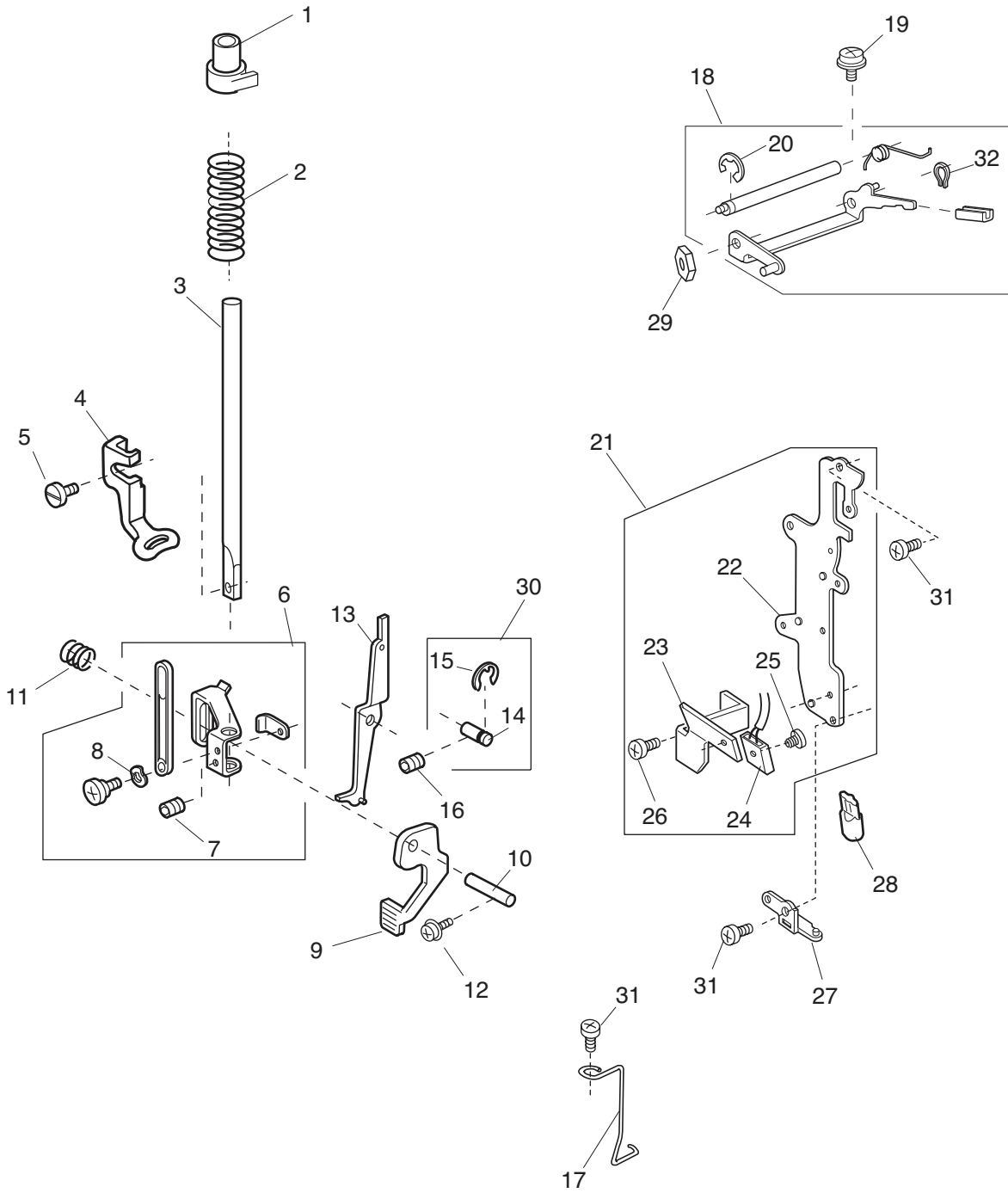


# PARTS LIST

NO.	Part Number	Name
1	852638008	Clutch solenoid (unit)
2	852065008	Solenoid set plate
3	852646009	Solenoid (unit)
4	000004303	Spring pin 3x20-ACP
5	000002507	Snap ring E-4
6	000101105	Setscrew 3x4
7	852639009	Clutch base plate (unit)
8	852069002	Clutch base plate
9	852070006	Clutch starting lever
10	000002105	Snap ring E-3
11	854113008	Clutch arm 2
12	854114009	Clutch arm
13	854115000	Clutch arm 2 spring
14	852071007	Connect rod
15	852640003	Upper shaft sensor set plate (unit)
16	852073009	Upper shaft sensor set plate
17	854506002	Printed circuit board P (unit)
18	000081005	Setscrew 4x8
19	852072008	Clutch releasing arm
20	852074000	Spring receiving
21	000101404	Setscrew 4x6
22	852075001	Clutch arm spring
23	854120008	Clutch releasing arm guide



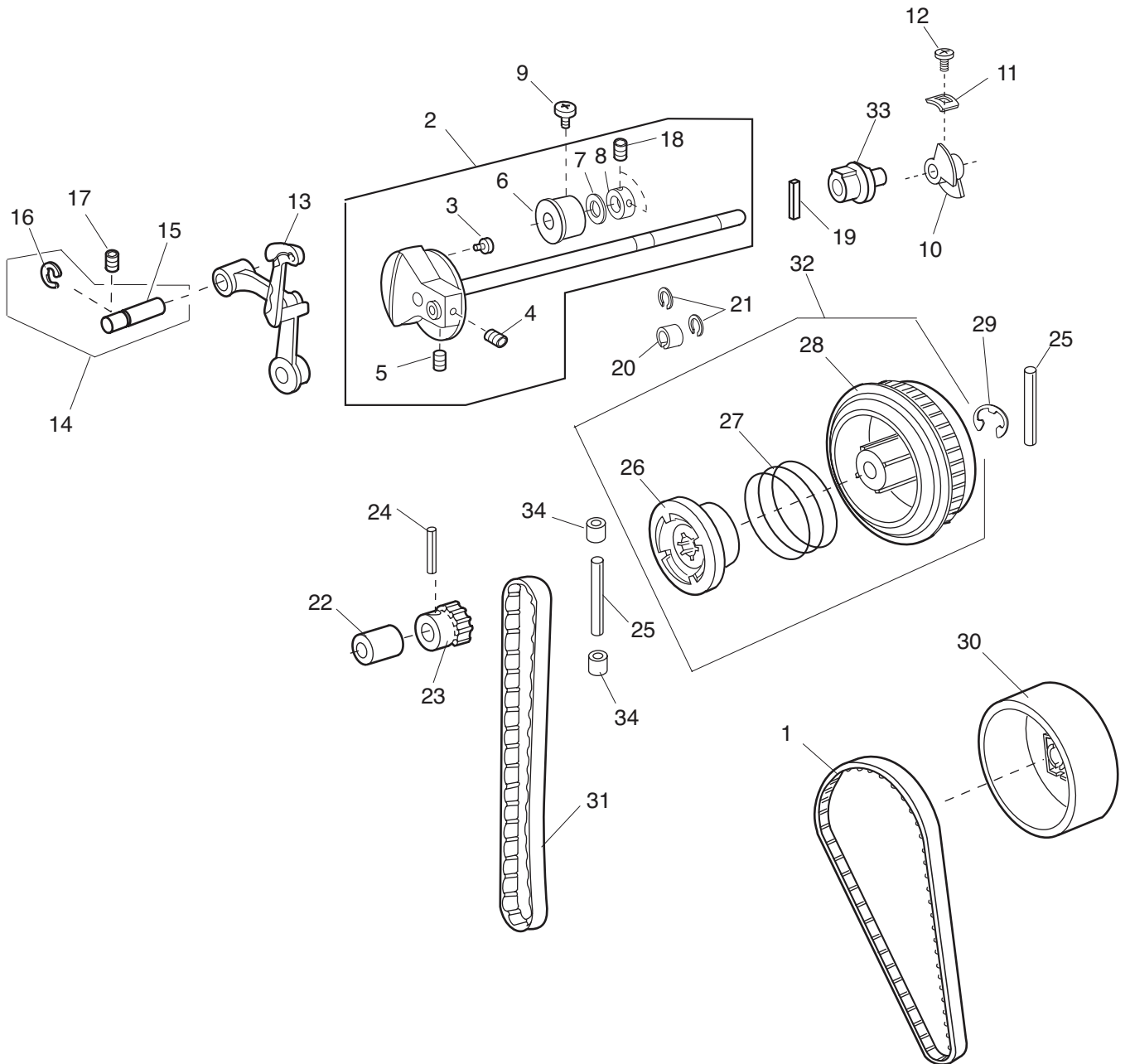
# PARTS LIST



# PARTS LIST

NO.	Part Number	Name
1	852009004	Presser bar bushing
2	830030006	Presser bar spring
3	830029002	Presser bar
4	830810042	Embroidery foot
5	763048006	Setscrew
6	830586035	Presser bar supporter (unit)
7	000111500	Setscrew 4x8
8	000116608	Wave washer
9	830035115	Presser bar lifter
10	822072005	Presser bar lifter pin
11	102222009	Spring
12	000115629	Setscrew 4x8
13	830037025	Tension releasing lever
14	830338007	Tension releasing lever pin
15	000002507	Snap ring E-4
16	000111201	Setscrew 4x4
17	830039027	Arm thread guide
18	830585012	Presser bar actuator arm (unit)
19	000115629	TP setscrew 4x8
20	000001609	Snap ring E-5
21	852608009	Front bracket (unit)
22	852015003	Front bracket
23	852039025	Lamp socket fixing plate
24	501509404	Lamp socket (unit)
25	000115308	TP setscrew 2x8
26	000103808	Setscrew 3x5
27	851045009	Threader guide plate
28	000026002	Wedge base lamp 12V 5W
29	000061205	Nut 4-3-7
30	850546002	Tension releasing lever pin (unit)
31	000081005	Setscrew 4x8
32	000014605	Grip ring 6

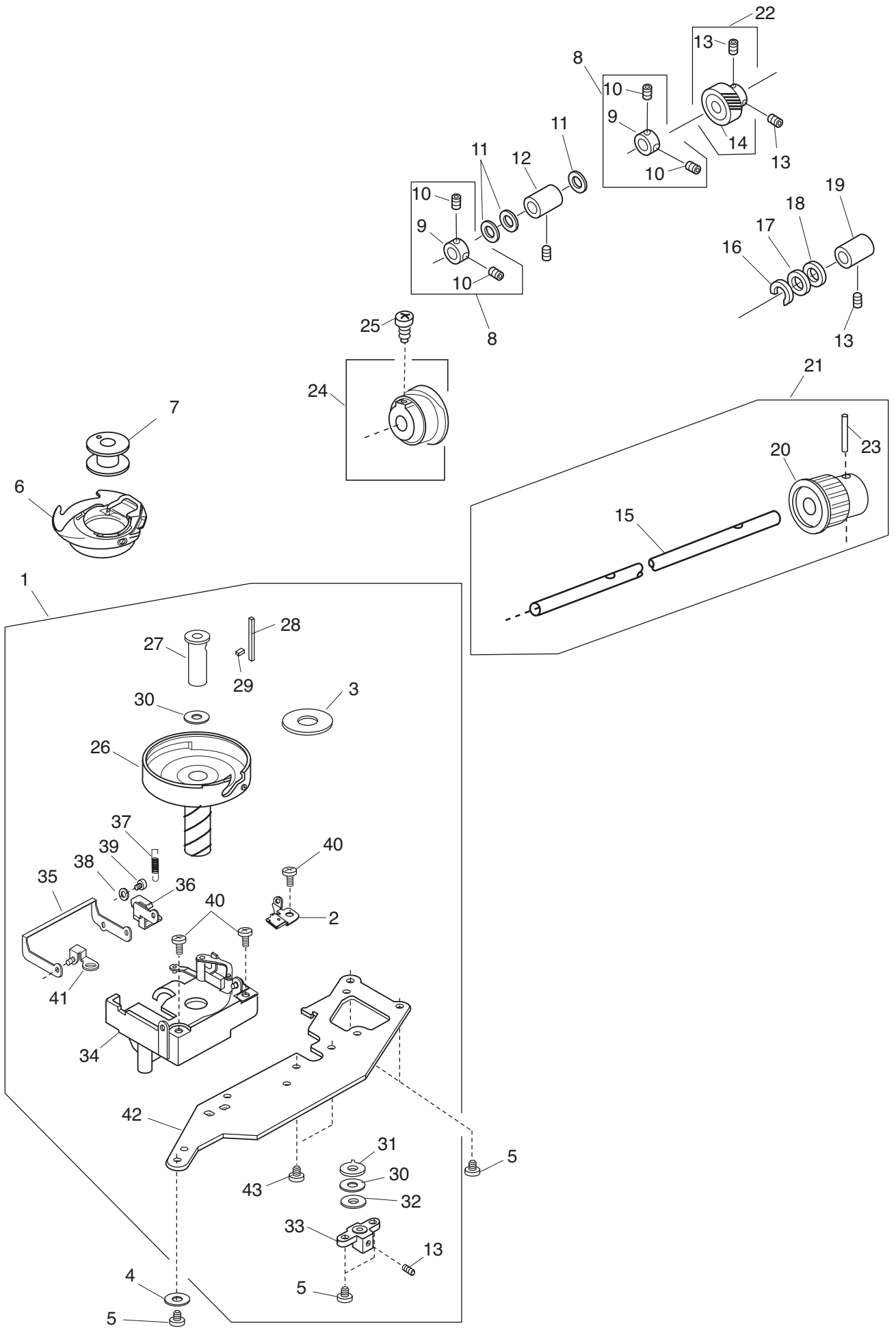
# PARTS LIST



# PARTS LIST

NO.	Part Number	Name
1	850165003	Timing belt
2	854639201	Upper shaft (unit)
3	000078319	Setscrew 3x6
4	000110901	Hexagonal socket screw 5x4
5	000111706	Hexagonal socket screw 5x8
6	829042007	Upper shaft front bushing
7	000038605	Washer
8	639095000	Uppere shaft ring
9	000101703	Setscrew 4x12
10	830095010	Upper shaft shield plate
11	820102009	Washer
12	000081005	Setscrew 4x8
13	820511201	Thread take-up lever (unit)
14	650626001	Thread teke-up lever support pin (unit)
15	650062003	Thread take-up lever support pin
16	000001702	Snap ring 6
17	000111201	Hexagonal socket screw 4x4
18	000111304	Hexagonal socket screw 5x5
19	731384008	Felt
20	000208505	Bearing
21	000032609	Snap ring 5103-37
22	851062002	Upper shaft rear metal
23	830341003	Upper shaft timing gear
24	000004303	Spring pin 3x20
25	000024206	Spring pin 3x30
26	502064003	Clutch ring
27	661024007	Clutch spring
28	303025009	Belt wheel
29	000030205	Snap ring 8
30	502068007	Handwheel
31	650071005	Timing belt
32	852629109	Belt wheel (unit)
33	854121009	Upper shaft releasing cam
34	854143007	Cushion

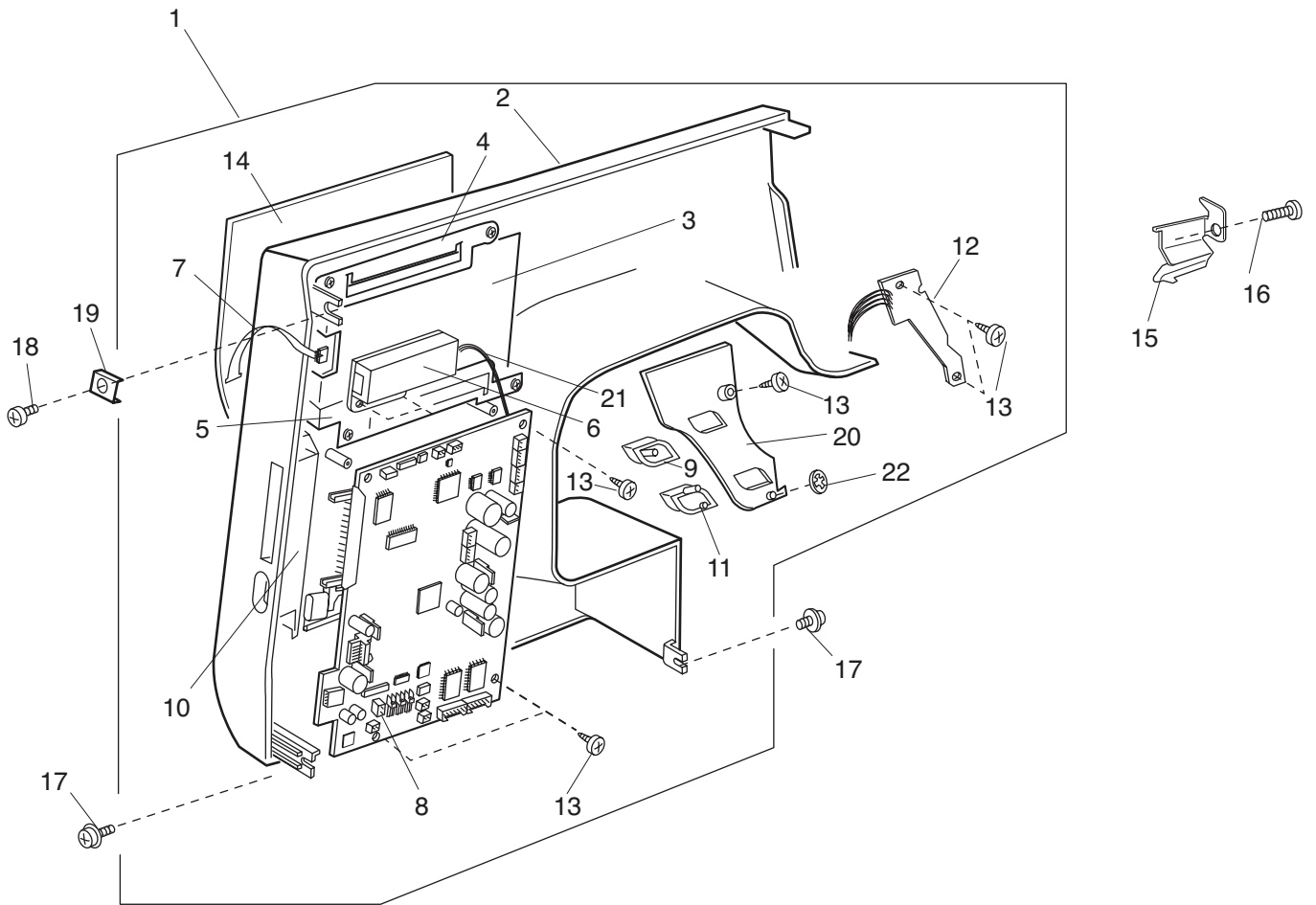
# PARTS LIST



# PARTS LIST

NO.	Part Number	Name
1	854629002	Rotary hook (unit)
2	846632003	Bobbin holder stopper (unit)
3	627190010	Magnet
4	000070506	Washer
5	000081005	Setscrew 4x8
6	846652102	Bobbin holder (unit)
7	102261103	Bobbin
8	820672005	Lower shaft ring (unit)
9	820166001	Lower shaft ring
10	000111201	Hexagonal socket screw 4x4
11	000038502	Washer
12	650078002	Lower shaft bushing (front)
13	000111304	Hexagonal socket screw 5x5
14	650076000	Lower shaft gear
15	854122000	Lower shaft
16	822112008	Felt holder
17	822070003	Felt
18	000036201	Thrust washer
19	650079003	Lower shaft bushing (rear)
20	650073007	Lower gear
21	854627000	Lower shaft (unit)
22	850687006	Lower shaft gear (unit)
23	000004200	Knock pin 3x18
24	854628012	Cam (unit)
25	000114802	TP setscrew 4x12
26	650623307	Hook body (unit)
27	820123109	Hook race shaft
28	820124007	Oil string (1)
29	820125008	Oil string (2)
30	000038409	Washer 6x0.5
31	627192001	Hook race shaft washer
32	625102008	Washer
33	650094004	Hook race shaft base
34	854630006	Cover (unit)
35	846111001	Thread drawing lever
36	854125003	Thread drawing lever base
37	854126004	Thread drawing lever spring
38	000072209	Washer 2
39	000099707	Hexagonal socket bolt 2x3
40	810220106	Setscrew
41	846113003	Lever stopper plate (left)
42	832076103	Hook race set plate
43	000066705	Setscrew 3x8

# PARTS LIST

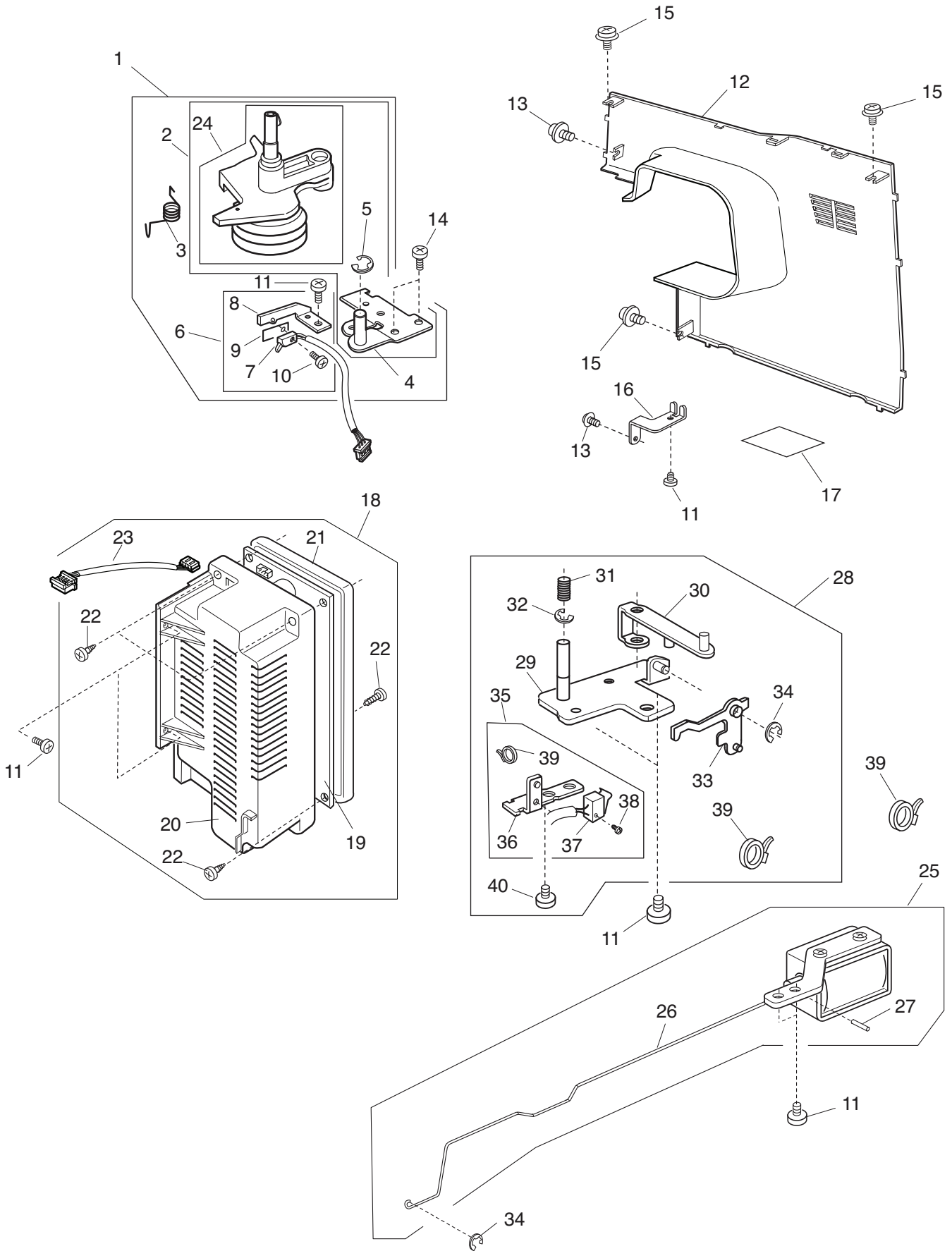


# PARTS LIST

NO.	Part Number	Name
1	852641004	Front cover (unit)
2	857005706	Front cover
3	852610107	LCD (unit)
4	857008008	LCD fixing plate (upper)
5	857621003	LCD fixing plate (lower) (unit)
6	850612103	Inverter (unit)
7	852505005	LCD harness (unit)
8	852633106	Printed circuit board A (unit)
9	852076105	Button
10	852019007	Card guide
11	857010106	Start/stop button
12	852521007	Printed circuit board F (unit)
13	000120203	Setscrew 3x8
14	857006202	Ornamental plate
15	825183010	Arm thread guide (lower)
16	000096508	Setscrew 3.5x25
17	000115607	Setscrew TP 4x8
18	000066705	Setscrew 3x8
19	832177002	Washer
20	857007100	Ornamental plate
21	850524004	Inverter harness (unit)
22	000014306	Snap ring 3



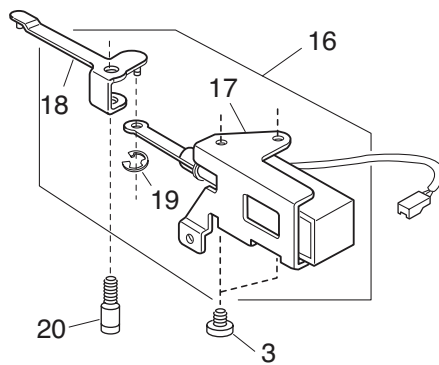
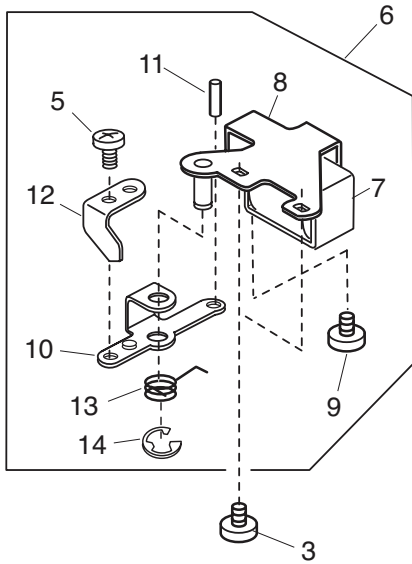
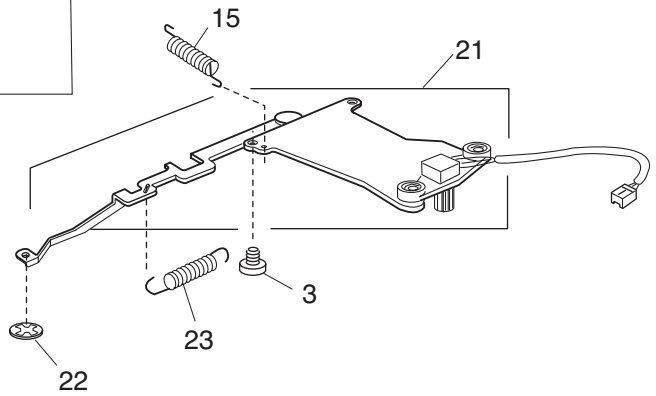
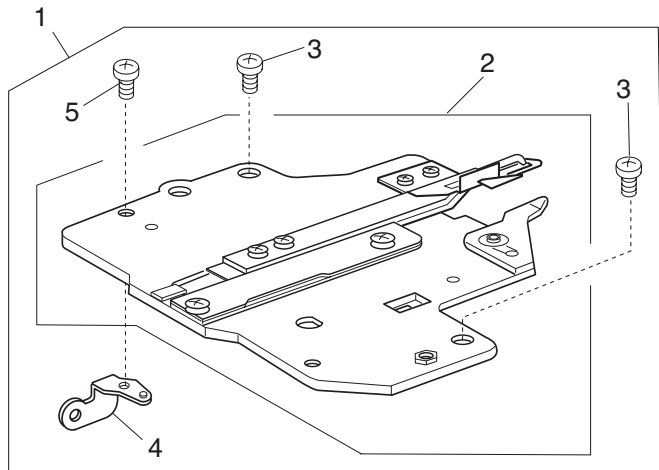
# PARTS LIST



# PARTS LIST

NO.	Part Number	Name
1	852643006	Bobbin winder (unit)
2	852644007	Bobbin winder (unit)
3	823119008	Spring
4	854140107	Bobbin winder plate
5	000001609	Snap ring 5
6	852615009	Bobbin winder switch (unit)
7	852510003	Micro switch (unit)
8	852042009	Switch fixing plate 2
9	852014002	Insulating paper
10	000041209	Setscrew1.7x6
11	000081005	Setscrew 4x8
12	853002309	Rear cover
13	000115607	TP setscrew 4x8
14	810220106	Setscrew
15	000115205	TP setscrew 4x6
16	853021005	Rear cover set plate
17	850201002	Carriage sticker
18	850628205	Switching regulator (unit)
19	850541203	Swithcing regulator (unit)
20	850157024	Switching regulator case
21	850158014	Switching regulator plate
22	000119704	Setscrew 3x14
23	850523003	Power supply harness (unit)
24	853506009	Bobbin winder (unit)
25	854632008	Thread cutter solenoid (unit)
26	854131002	Thread cutter starting rod
27	000005304	Knock pin 3x8
28	854633009	Driving arm shaft base (unit)
29	860045007	Driving arm shaft base
30	846233000	Driving arm (1)
31	846154006	Spring
32	000002507	Snap ring E-4
33	854133004	Thread cutter starting lever
34	000002105	Snap ring E-3
35	860624109	Thread cutter sensor (unit)
36	860047009	Thread cutter sensor set plate
37	846513605	Micro switch (unit)
38	000102900	Setscrew 2x8
39	000053606	Cord binder
40	000101105	Setscrew 3x4

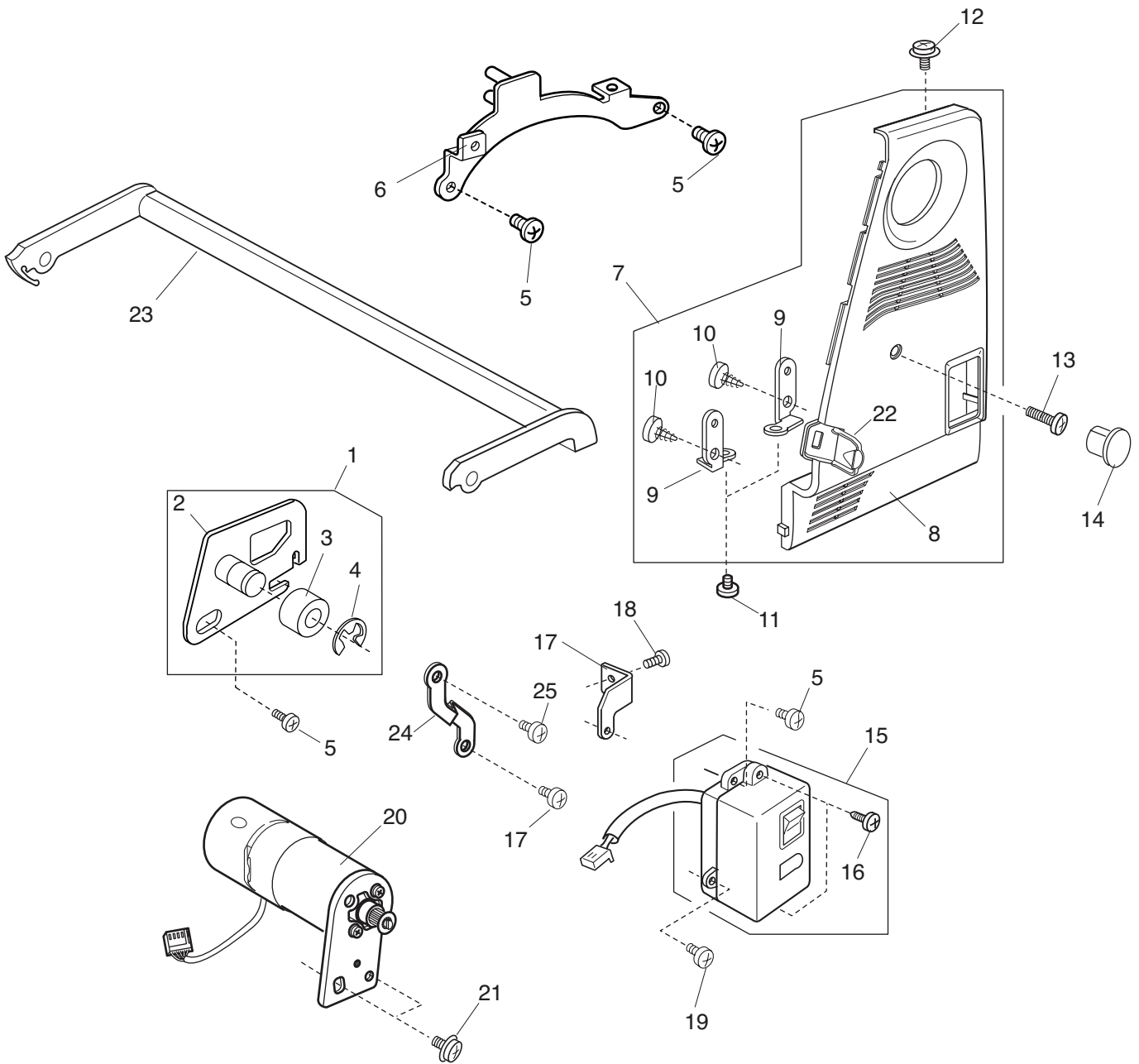
# PARTS LIST



# PARTS LIST

NO.	Part Number	Name
1	852634004	Thread cutter (unit)
2	860625100	Thread cutter (unit)
3	000081005	Setscrew 4X8
4	852057007	Thread cutter cover set plate
5	000101105	Setscrew 3X4
6	854631007	Needle thread solenoid (unit)
7	854508004	Needle thread solenoid (unit)
8	854127005	Solenoid set plate
9	000163806	Setscrew 2.6X4
10	854128006	Thread drawing leverArm
11	000003900	Knock pin 2.5X8
12	854129007	Thread drawing lever actuator plate
13	854130001	Spring
14	000002507	Snap ring E4
15	850212017	Arm spring
16	850645013	Bobbin thread sensor solenoid (unit)
17	832613027	Bobbin thread sensor solenoid (unit)
18	850083006	Bobbin thead detect arm
19	000002105	Snap ring E3
20	846220004	Setscrew
21	850618109	Sensor set plate (unit)
22	000013707	Snap ring CS 2.4
23	850089002	Safety spring

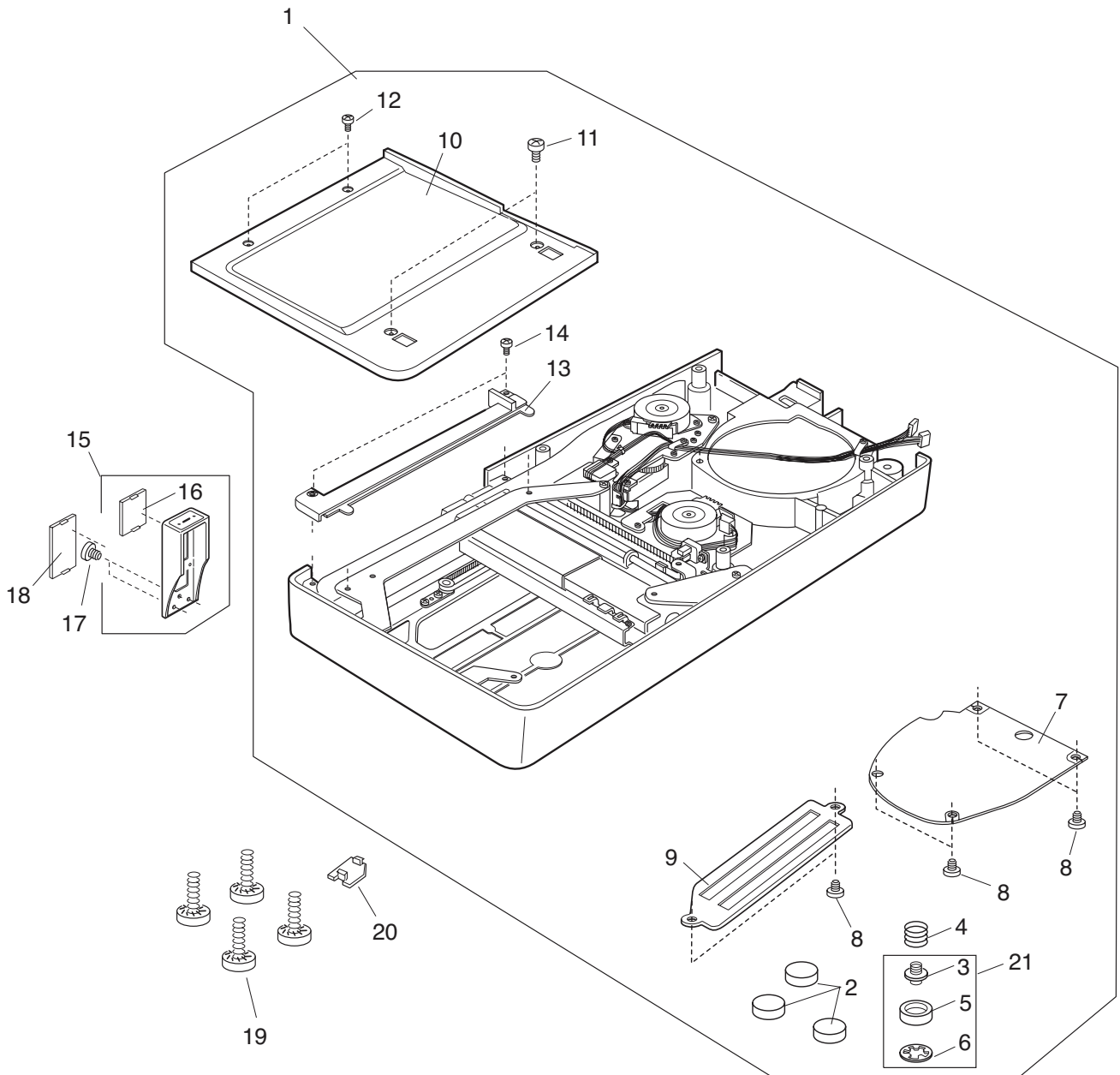
# PARTS LIST



# PARTS LIST

NO.	Part Number	Name
1	851617008	Idler (unit)
2	851039000	Idler base
3	625217100	Idler
4	000002806	Snap ring 6
5	000081005	Setscrew 4x8
6	857002002	Handle plate rear
7	853614207	Belt cover (unit)
8	852031304	Belt cover
9	832099009	Belt cover set plate
10	000161103	Setscrew 3x6
11	000078319	Setscrew 3x6
12	000115009	TP setscrew 3x8
13	000104108	Sewscrew 4x20
14	653006101	Cap
15	852513006	Machine socket (unit) (for 120 V))
16	000107802	Setscrew 3x10
17	852036000	Machine socket fixing plate
18	810220106	Setscrew
19	000101817	Setscrew 4x16
20	852620030	Motor (unit)
21	000115607	Setscrew 4x8
22	853022006	Connector cover
23	854139103	Carrying handle
24	857025001	Motor setting support plate
25	000101404	Setscrew 4x6

# PARTS LIST



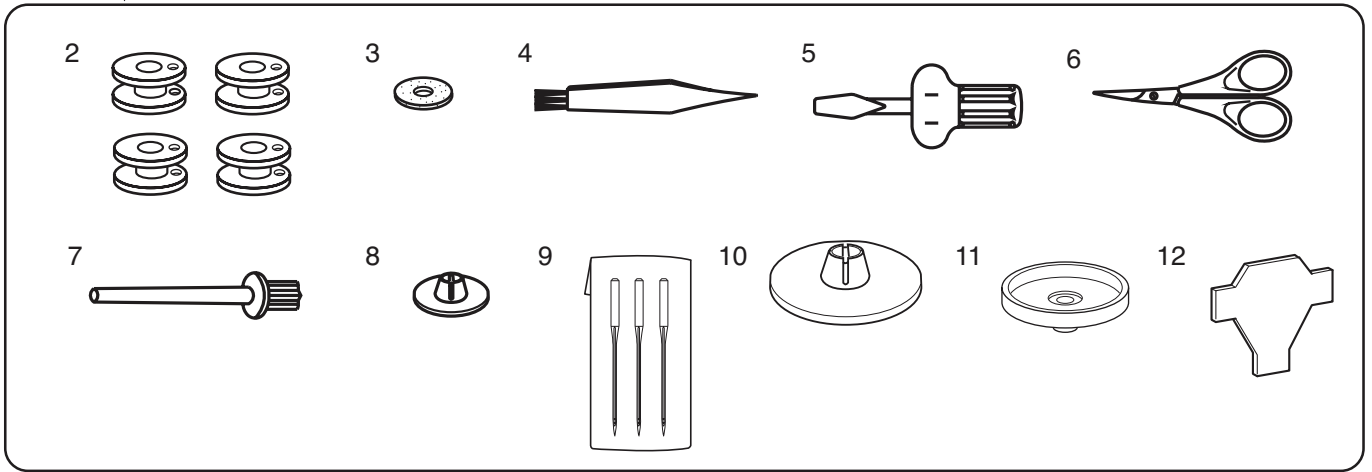
# PARTS LIST

NO.	Part Number	Name
1	852617300	Base (unit)
2	830150003	Rubber foot
3	820350004	Adjusting screw
4	820351005	Adjusting screw spring
5	605074008	Rubber foot
6	813123004	Snap ring
7	850151017	Base lid
8	810220106	Setscrew
9	832146002	Base lid (1)
10	851053103	Base cover
11	000101426	Setscrew 4x6
12	000101127	Setscrew 3x4
13	850147205	Sheet cover
14	000066727	Setscrew 3x8
15	850627101	Carriage plate (unit)
16	850169007	Cover lid (2)
17	000078319	Setscrew 3x6
18	850156001	Cover lid
19	000127107	Setscrew 6x35
20	851071015	Base lid (3)
21	717618000	Adjusting screw (unit)

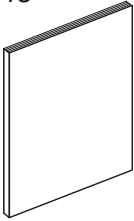


# PARTS LIST

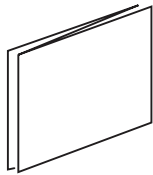
1



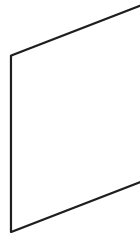
13



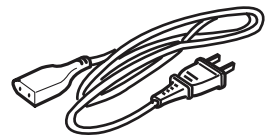
14



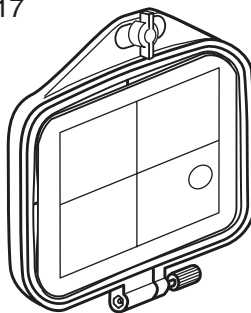
15



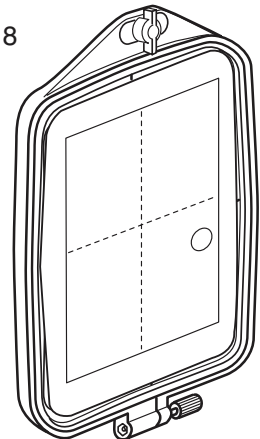
16



17



18



# PARTS LIST

---

NO.	Part Number	Name
1	852801004	Accessory (unit)
2	102261103	Bobbin
3	102403109	Felt
4	802424004	Lint brush
5	820832005	Screwdriver (large)
6	822814007	Scissor
7	625031500	Spool pin
8	822019509	Spool holder (small)
9	852802108	Needle (unit)
10	822020503	Spool holder (large)
11	829803004	Spool stand
12	653802002	Screwdriver
13	852864005	Instruction manual (English)
14	852852000	Template
15	852854002	Quick reference chart
16	653524007	Power supply cord
17	852807011	Embroidery hoop (A)
18	850802010	Embroidery hoop (B)